



Valla®



VALLA 120D - TRX MOBILE TRACKED CRANE Max Capacity 12 t.



ENGINE: diesel HP 120 - 4 cylinders, water cooled.

ELECTRICS: 12 Volt system.

TRANSMISSION: automatic (hydrostatic). Travel speed 0-4 km/h.

CRANE FRAME: fabricated from preformed and welded steel plate with built-in counterweight. Hydraulic and independent outriggers.

TRACKED UNDERCARRIAGE: steel tracks with rubber pads. Two variable hydraulic motors.

BOOM: fabricated from preformed and welded steel plate with 4 hydraulic telescoping sections fitted with adjustable nylon wear pads. Boom slewing for unlimited and continuous 360°.

WINCH: hydraulically operated 12 ton.

HYDRAULIC SYSTEM: powered by gear pump, electric proportional distributor controlled by 2 joysticks, filter, safety valves on all boom operations. Max pressure 280 bar.

DRIVER'S OVERHEAD GUARD: steel frame with metal checker plate and full visibility.

TOTAL WEIGHT: Kg. 12.000~.

TOTAL WEIGHT without COUNTERWEIGHT: Kg. 10.000.

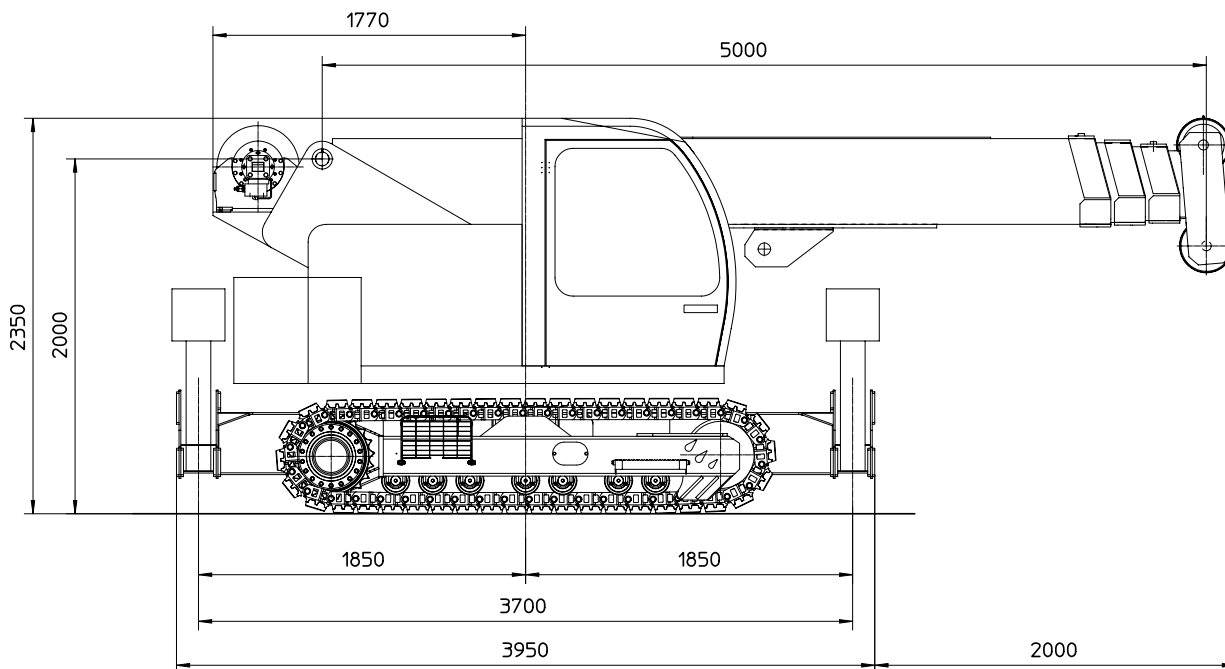
OPTIONAL EXTRAS: L.M.I. (electronic Load moment Indicator), hydraulic chain hoist, man bucket, remote control, metal/glass enclosed cab, fly jib, LPG conversion.

Valla S.p.A.

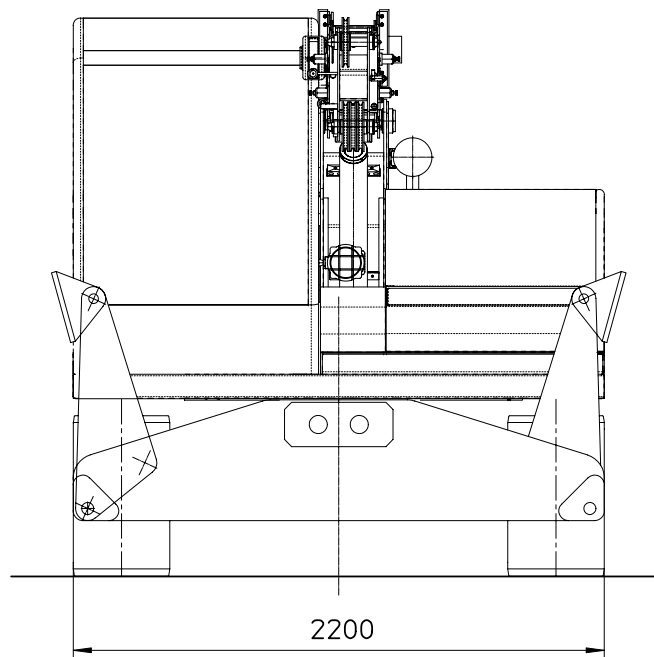
Via Piacenza, 45 - 29010 Calendasco - Piacenza - ITALIA
Tel. 0039 0523 762025 - 762004 - Fax 0039 0523 760531
Internet: www.valla.com - email: info@valla.com

The crane complies with following international standards:

- I.S.P.E.S.L.
- DIN 15018 (1,3) - 15019 (1) Classe H2 B3
- ANSI - 1994
- 98/37/CE
- 89/336/CEE



VALLA MOD. 120D TRX



Valla S.p.A.

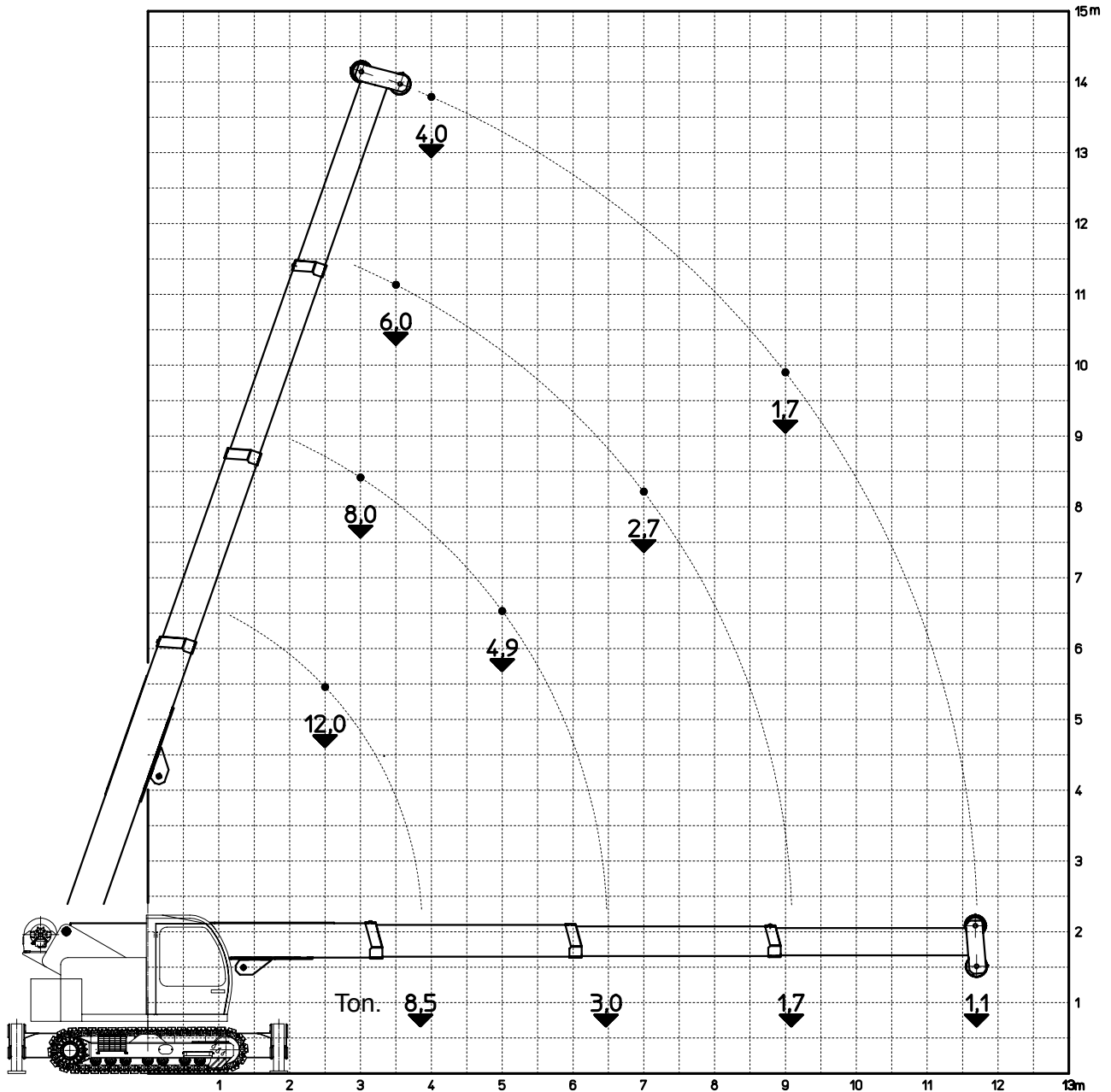
Via Piacenza, 45 - 29010 Calendasco - Piacenza - ITALIA
Tel. 0039 0523 762025 - 762004 - Fax 0039 0523 760531
Internet: www.valla.com - email: info@valla.com





VALLA MOD. 120D TRX

CAPACITY DIAGRAM ON OUTRIGGERS (360°)

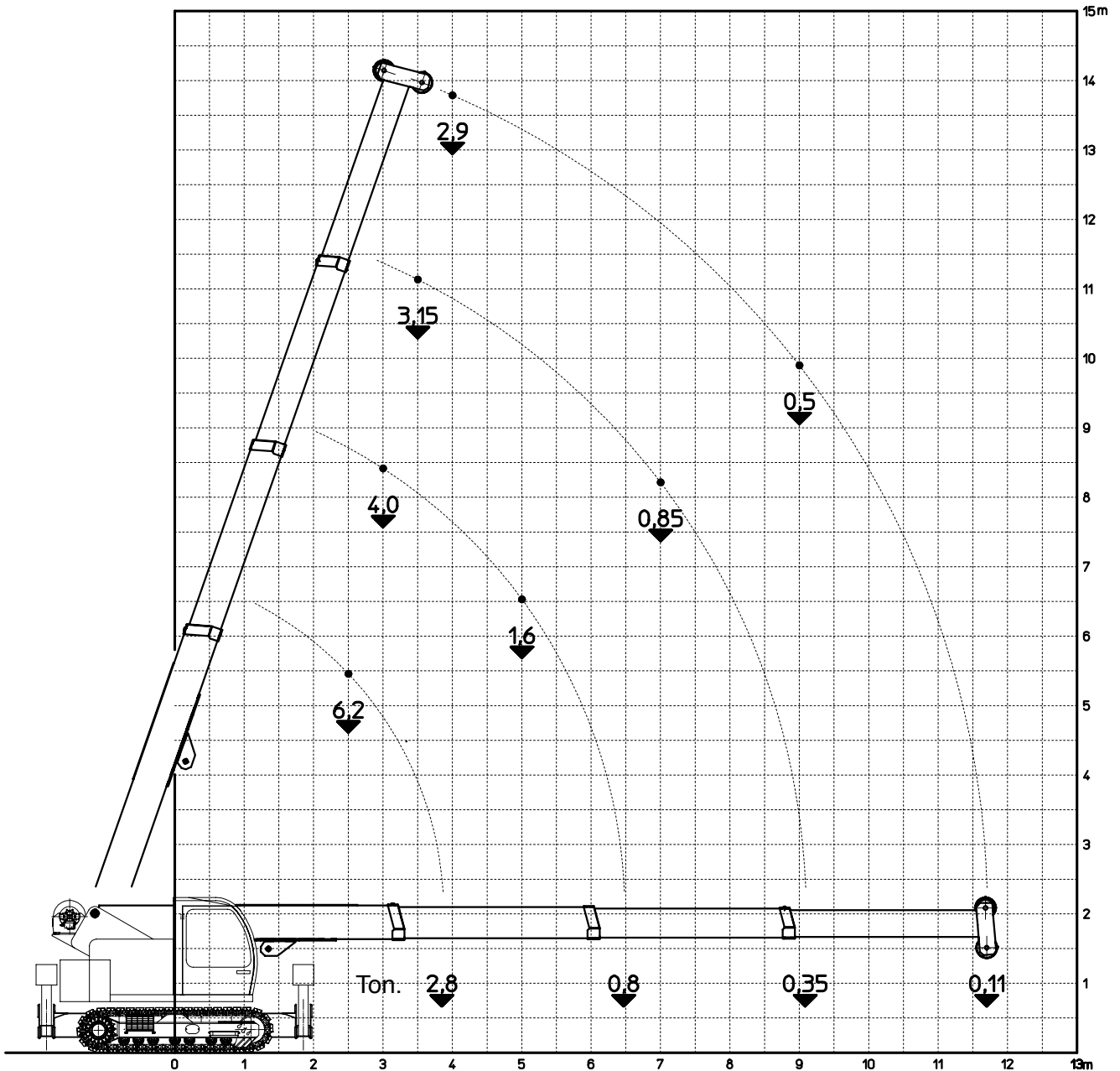


Valla S.p.A.

Via Piacenza, 45 - 29010 Calendasco - Piacenza - ITALIA
Tel. 0039 0523 762025 - 762004 - Fax 0039 0523 760531
Internet: www.valla.com - email: info@valla.com

VALLA MOD. 120D TRX

CAPACITY DIAGRAM ON TRACKS - STATIONARY CAPACITY (360°)



Valla S.p.A.

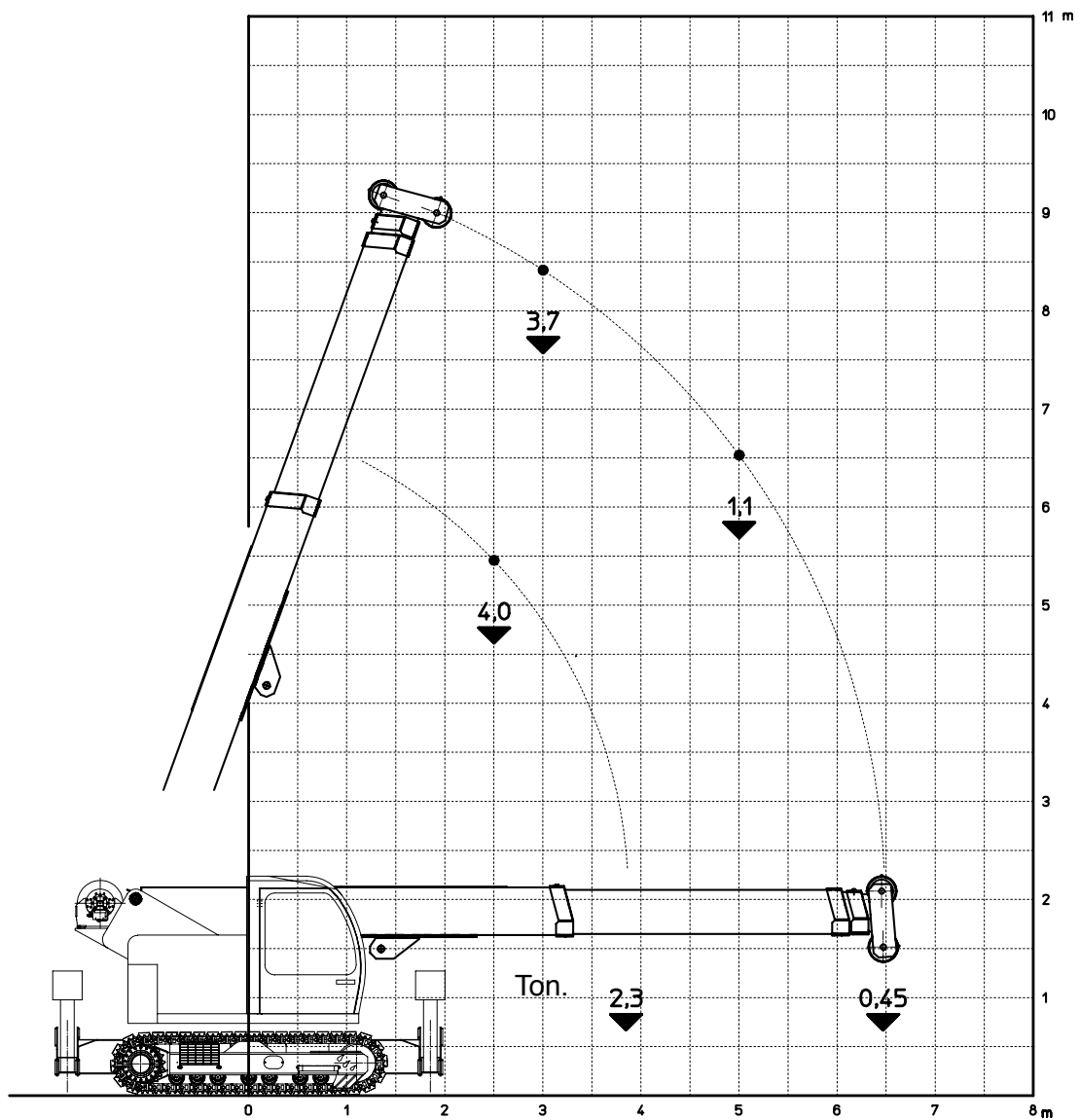
Via Piacenza, 45 - 29010 Calendasco - Piacenza - ITALIA
Tel. 0039 0523 762025 - 762004 - Fax 0039 0523 760531
Internet: www.valla.com - email: info@valla.com





VALLA 120D TRX

CAPACITY DIAGRAM PICK AND CARRY (BOOM OVER FRONT)

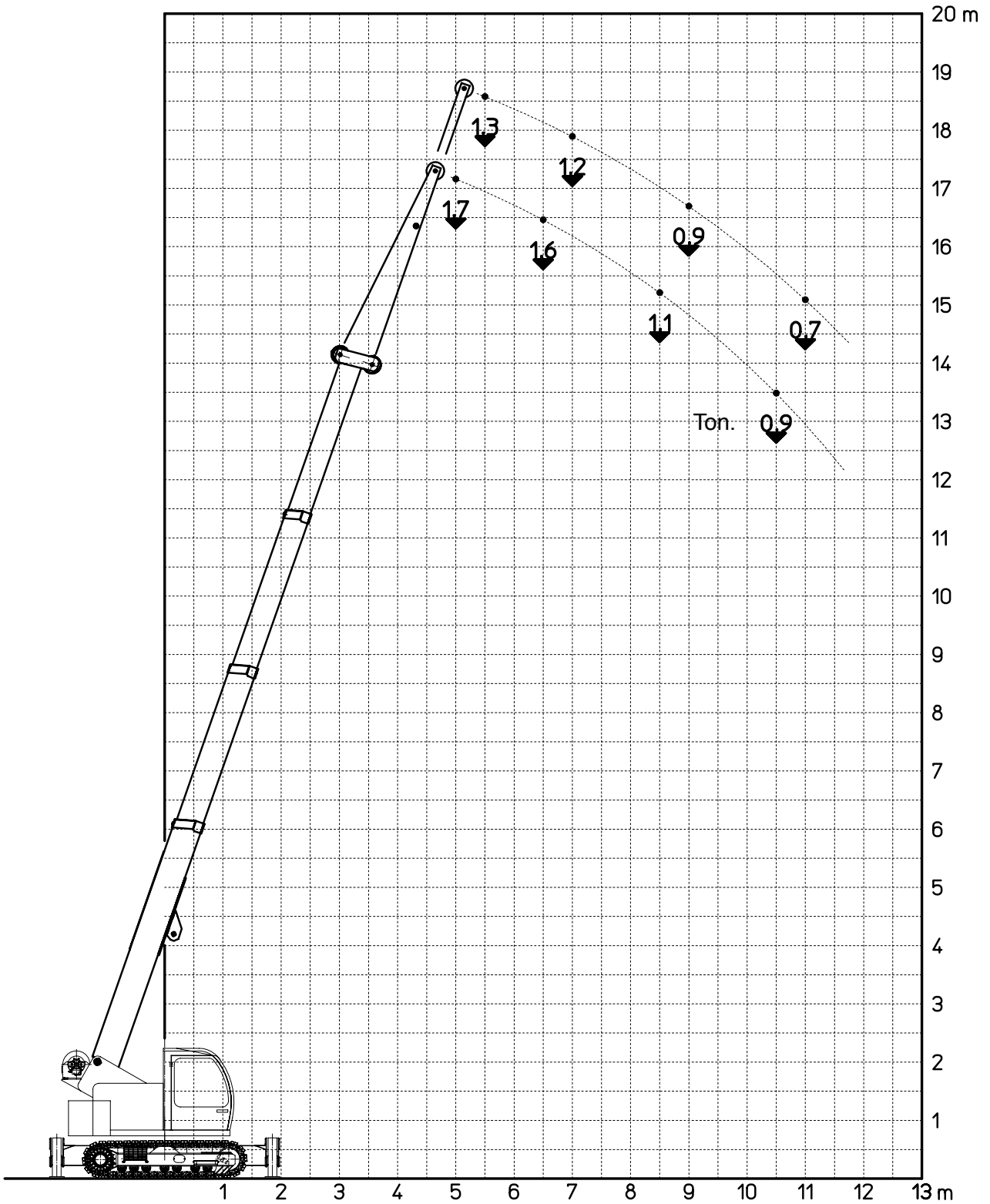


Valla S.p.A.

Via Piacenza, 45 - 29010 Calendasco - Piacenza - ITALIA
Tel. 0039 0523 762025 - 762004 - Fax 0039 0523 760531
Internet: www.valla.com - email: info@valla.com

VALLA 120D TRX

CAPACITY DIAGRAM FLY JIB ON OUTRIGGERS (360°)



Valla S.p.A.

Via Piacenza, 45 - 29010 Calendasco - Piacenza - ITALIA
 Tel. 0039 0523 762025 - 762004 - Fax 0039 0523 760531
 Internet: www.valla.com - email: info@valla.com

