



VALLA 1725-36 SE MOBILE CRANE MAX CAPACITY 16 t



PROPULSION: by two 8 kW - 72 V DC fanned reversible electric motors fitted with coupled MOSFET electronic speed controls. Motor temperature, speed, brushes automatic devices.

BATTERY: 805 Ah - 72 V. Battery charge indicator on dashboard.

BATTERY CHARGER: on board, with charge level indicator.

WHEELS: 10.00 R20 pneumatic tyres.

TRANSMISSION: direct coupling of electric motors to n° 2 steering differential axles. Speed from 0 to 6 Km/h.

STEERING: power steering hydraulically operated, regular (only rear axle), circular and crab by two axles.

SUSPENSION: oscillating rear axle.

BRAKES: hydraulic drum brakes at front and rear wheels.

CRANE FRAME: fabricated from preformed and welded steel plate with built-in counterweight. Standard carry deck.

OUTRIGGERS: four hydraulically independently horizontal/vertical.

BOOM: fabricated from preformed and welded steel plate with 3 hydraulic telescoping sections.

WINCH: hydraulically operated.

CAB: full vision enclosed cab. Designed as an independent unit. Including all driving and crane controls within easy reach of the operator.

HYDRAULIC SYSTEM: 15kW - 72 V DC electric gear pump, electric proportional valves operated by single joystick, filter, safety valves on all boom operations.

TOTAL MACHINE WEIGHT: kg 16.000.

OPTIONAL EXTRAS: L.M.I. (electronic Load Moment Indicator), man bucket, remote control, battery, battery charger, manual extensions.

Valla S.p.A.

Via Piacenza, 45 - 29010 Calendasco - Piacenza - ITALIA

Tel. 0039 0523 762025 - 762004 - Fax 0039 0523 760531

Internet: www.valla.com - email: info@valla.com

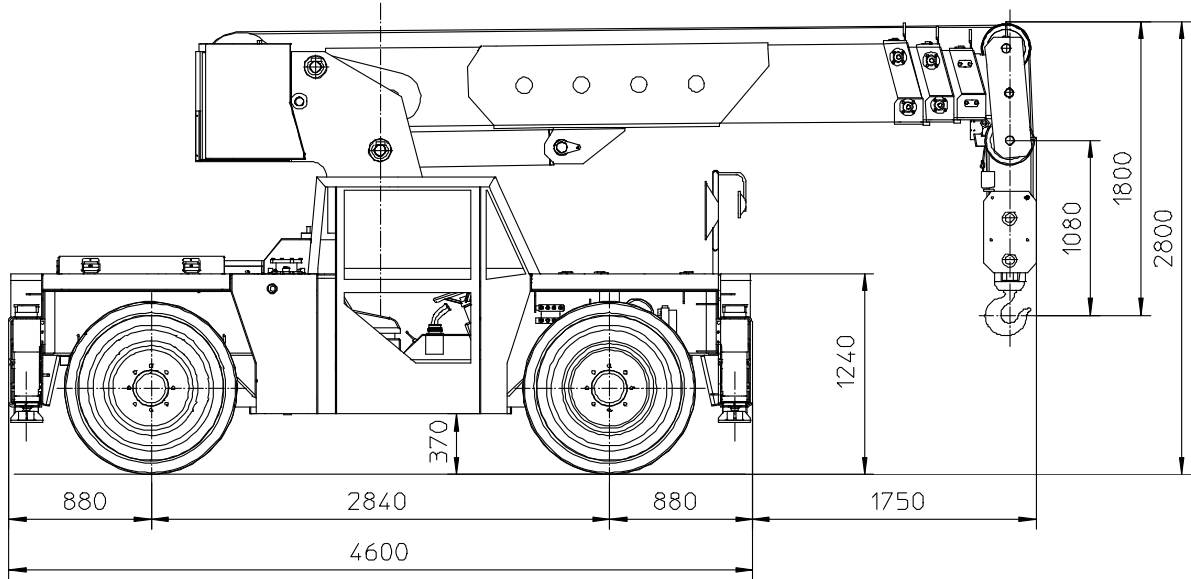
Printed by VALLA S.p.a.

November 2005

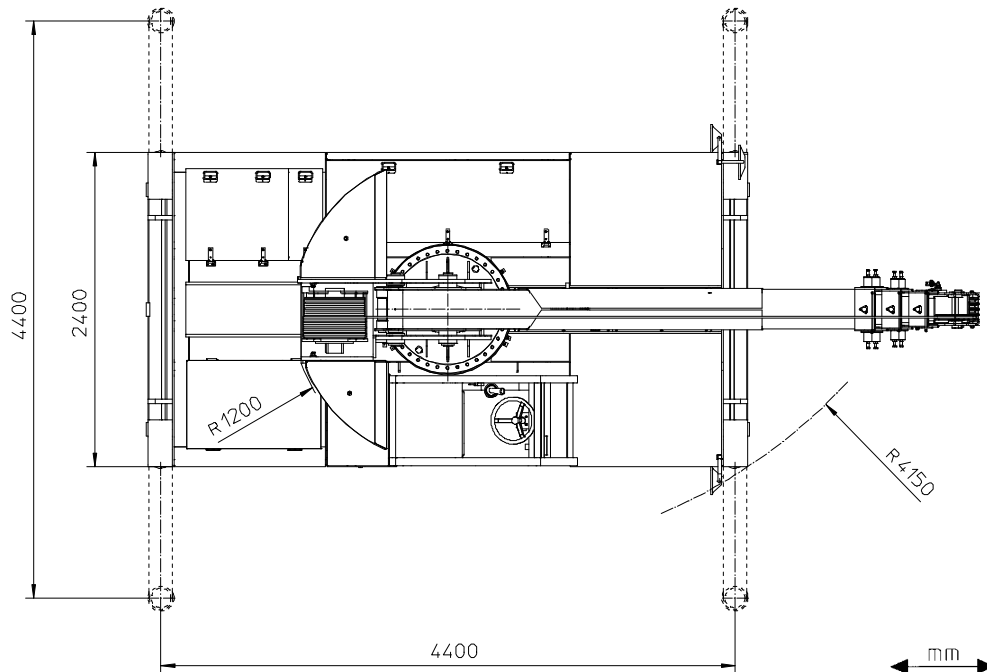
Data above are subject to be changed without any previous notice.

The crane complies with following international standards:

- I.S.P.E.S.L.
- DIN 15018 (1,3) - 15019 (1) class H 2 B3
- ANSI - 1994
- 98/37/CE
- 89/336/CEE



VALLA MODEL 1725-36 SE



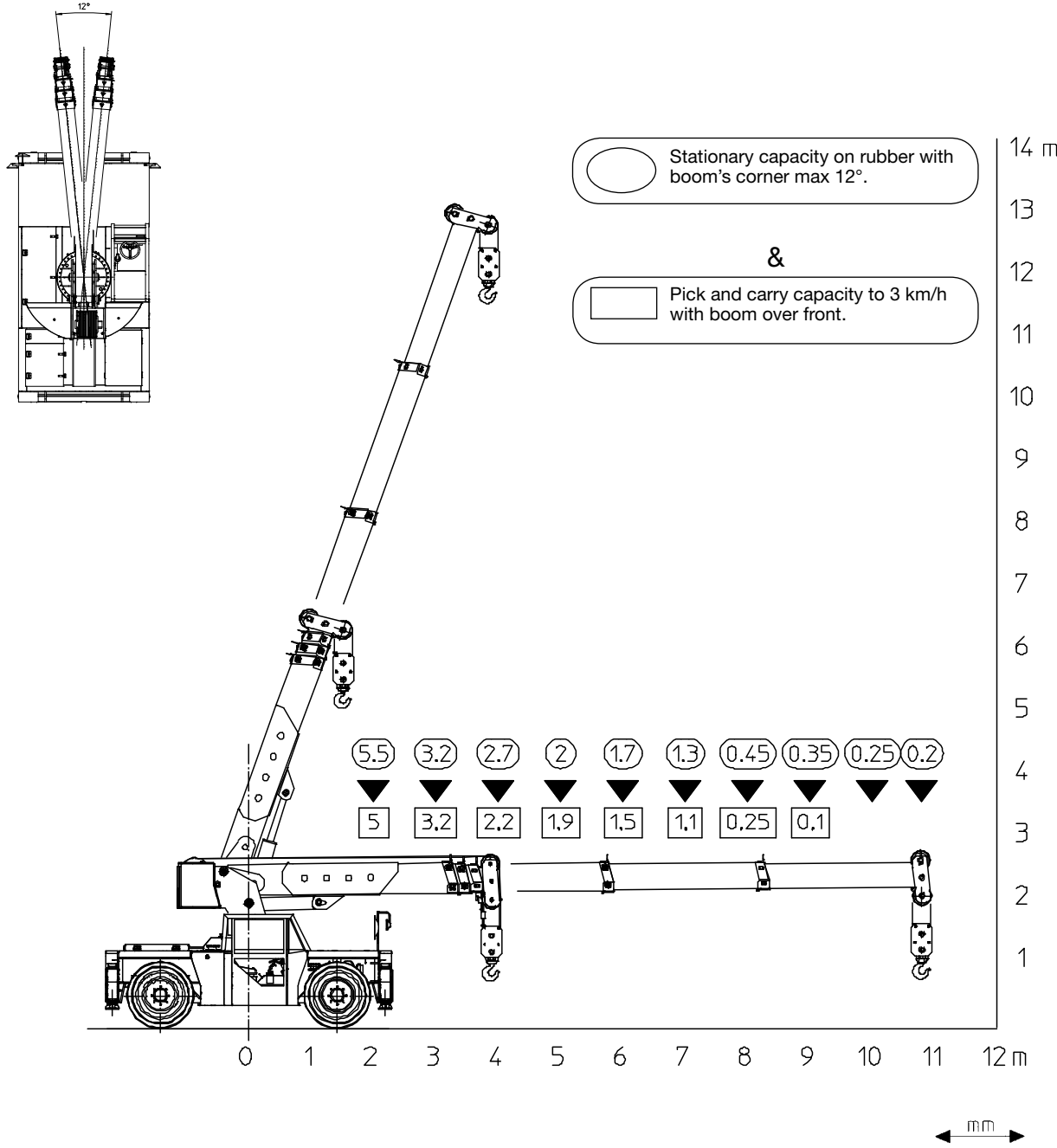
Valla S.p.A.

Via Piacenza, 45 - 29010 Caldasco - Piacenza - ITALIA
Tel. 0039 0523 762025 - 762004 - Fax 0039 0523 760531
Internet: www.valla.com - email: info@valla.com





VALLA 1725-36 SE MOBILE CRANE



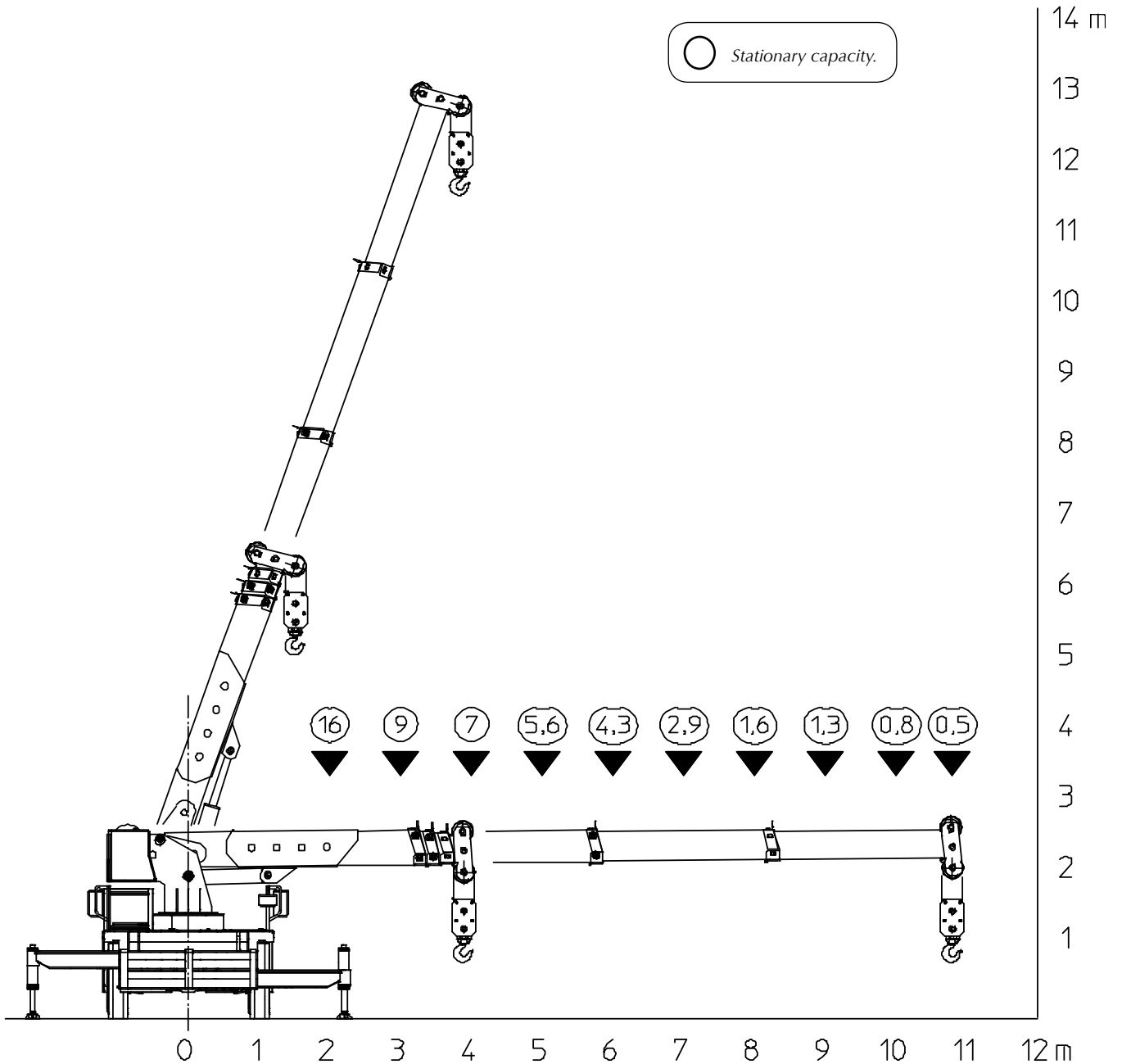
Valla S.p.A.

Via Piacenza, 45 - 29010 Calendasco - Piacenza - ITALIA
 Tel. 0039 0523 762025 - 762004 - Fax 0039 0523 760531
 Internet: www.valla.com - email: info@valla.com

VALLA 1725-36 SE MOBILE CRANE

The crane complies with following international standards:

- I.S.P.E.S.L.
- DIN 15018 (1,3) - 15019 (1) class H 2 B3
- ANSI - 1994
- 98/37/CE
- 89/336/CEE

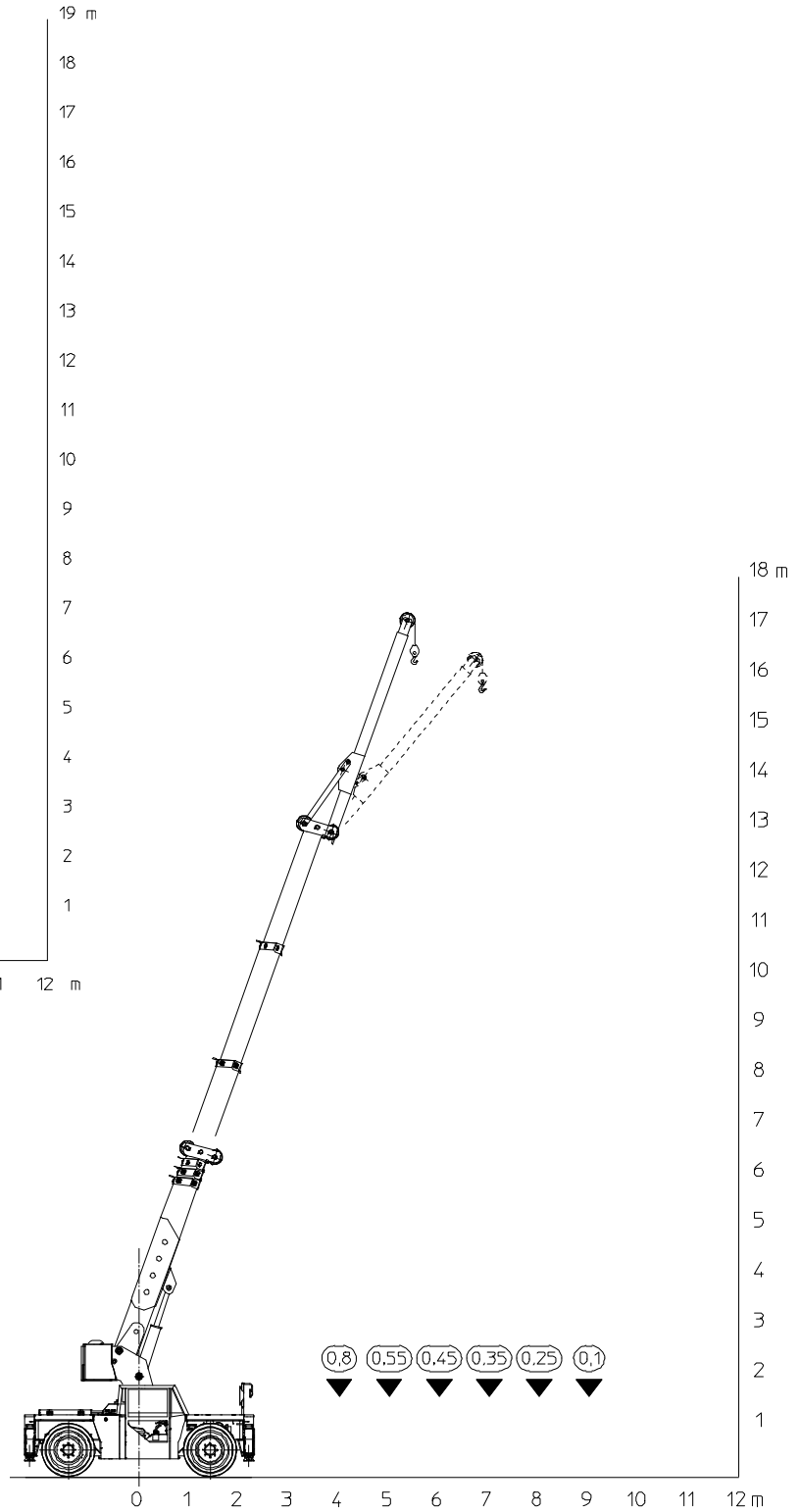
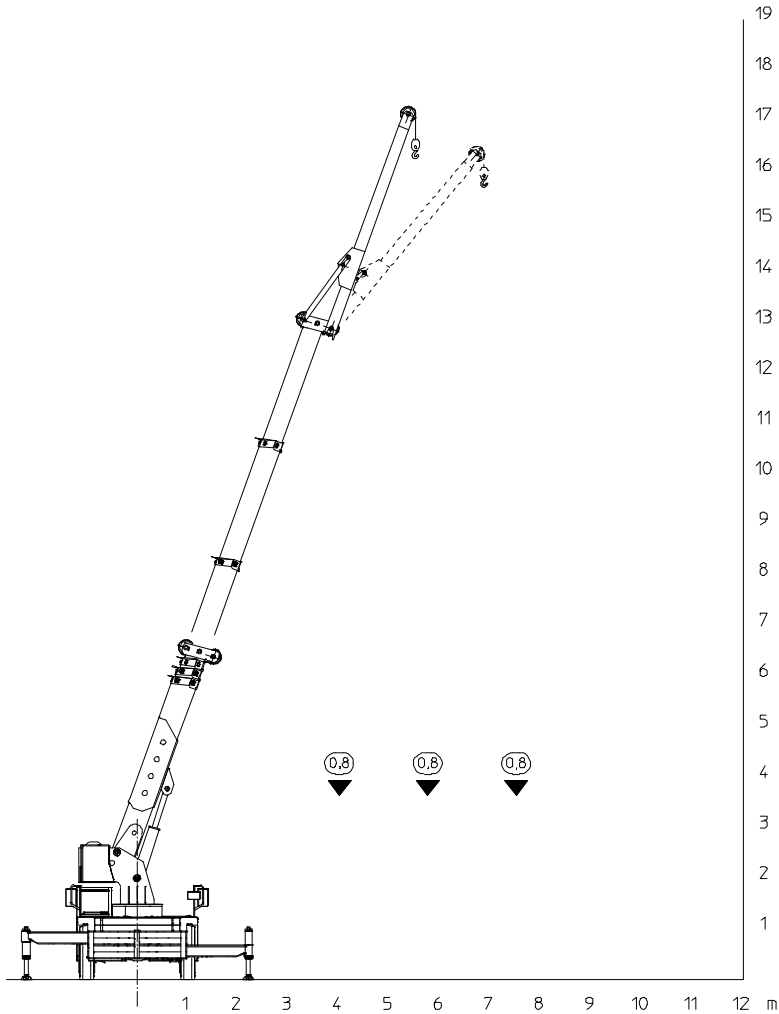


Valla S.p.A.

Via Piacenza, 45 - 29010 Caldasco - Piacenza - ITALIA
Tel. 0039 0523 762025 - 762004 - Fax 0039 0523 760531
Internet: www.valla.com - email: info@valla.com



VALLA 1725-36 SE MOBILE CRANE



Valla S.p.A.

Via Piacenza, 45 - 29010 Calendasco - Piacenza - ITALIA
Tel. 0039 0523 762025 - 762004 - Fax 0039 0523 760531
Internet: www.valla.com - email: info@valla.com

LIFTING CAPACITY MOD. 1725-36/SD-SE

RADIUS (mt)	ON OUTRIGGERS	ON RUBBER		
	360°	STATIONARY CAPACITY OVER FRONT (max 12°)	STATIONARY CAPACITY 360°	PICK AND CARRY CAPACITY UP TO 3 km/h (boom over front)
1.50	----	---	---	---
2.00	16.000	5.500	3.900	5.000
2.50	12.000	4.000	3.000	4.000
3.00	9.000	3.200	2.000	3.200
3.50	8.000	3.000	1.500	2.500
4.00	7.000	2.700	1.200	2.200
4.50	6.300	2.200	950	2.000
5.00	5.600	2.000	700	1.900
5.50	4.800	1.800	650	1.700
6.00	4.300	1.700	500	1.500
6,50	3.600	1.500	450	1.300
7.00	2.900	1.300	340	1.100
7.50	2.000	500		300
8.00	1.600	450		250
8.50	1.400	400		150
9.00	1.300	350		100
9.50	1.100	300		
10.0	800	250		
10.5	500	200		

- Rated loads above do not exceed 80% of tipping loads on outriggers and 75% on rubber.
- Capacities above bold lines are based only on structural strenght of crane.
- Capacities and performances are for crane on firm, level surfaces.
- Pick and carry operation: boom has to be centered overfront, used in the shortest possible lenght, min radius, lowest angle, load close to the ground. Negotiating grades (max 10%) is only permitted WITHOUT LOAD and limited to short distance and time.
- When needed, outriggers must be fully extended.
- When lifting area is not clearly visible by crane's operator, the presence of a second man is mandatory for signaling.
- Never handle a load in the area above cab.