



## VALLA 400 E MOBILE CRANE MAX CAPACITY 40 t



**PROPULSION:** 36 kW - 96 V DC fanned reversible electric motor fitted with a MOSFET speed control and microprocessor.

**TRANSMISSION:** differential axle with reduction gear between motor and wheels running in oil bath. Travelling speed up to 8 Km/h.

**STEERING:** power steering operated by hydraulic motor and bearing ball, fitted between the power unit and the crane frame. 6 kW - 96 V motor driven pump, filter and safety valves.

**BRAKE SYSTEM:** foot operated brakes on 6 wheels (4 front and 2 rear wheels). Hand brake mechanically operated.

**BATTERY:** 1450 Ah - 96 V battery meter on dashboard.

**SUSPENSION:** oscillating rear axle with mechanic lock.

**CRANE FRAME:** fabricated from welded steel plate with possibility to extended the rear power unit.

**WHEELS:** rear n 2 solid tires 400/60 x 15"; front n 6 solid tires 355/65 x 15".

**BOOM:** fabricated from preformed and welded steel plate with 4 hydraulic telescoping sections. Fitted with adjustable nylon wear pads.

**HYDRAULIC SYSTEM:** in own enclosed circuit, powered by kW 20 - 96 V motor driven pump, through electric proportional distributor controlled with joystick. Fitted with filter and safety valves. Maximum hydraulic pressure 240 bar.

**DRIVER'S OVERHEAD GUARD:** a steel frame over driver's seat allowing full visibility with metal checker plate overhead.

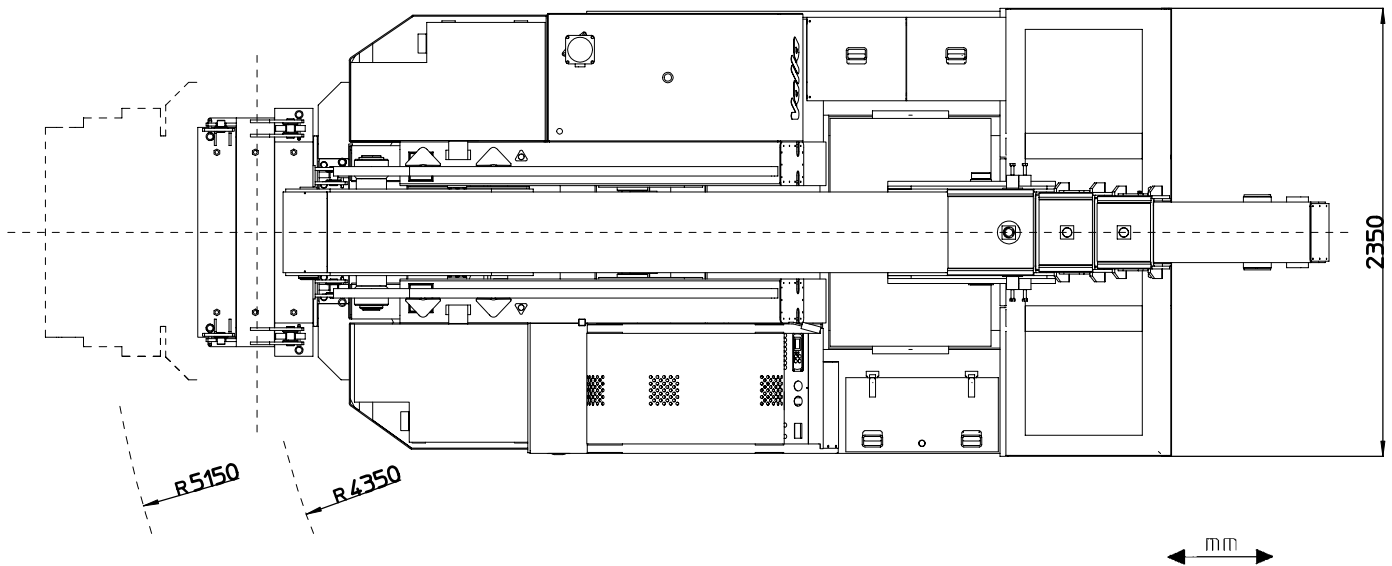
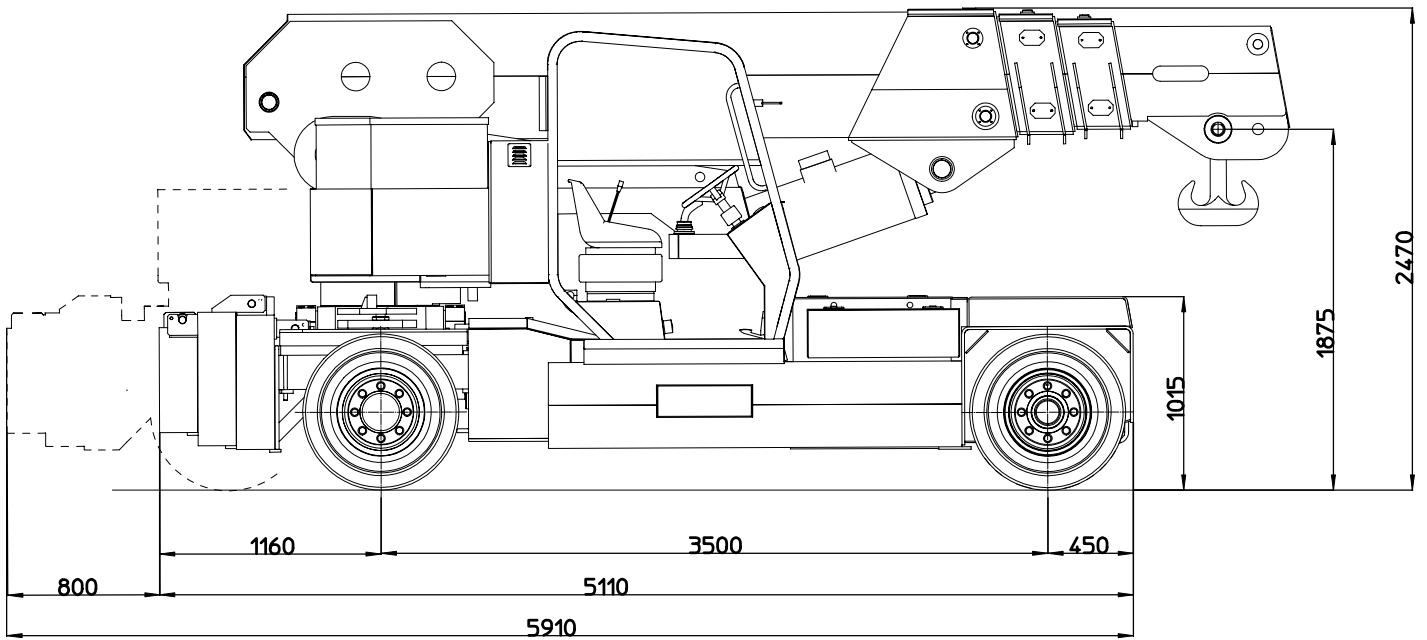
**TOTAL MACHINE WEIGHT:** 28.000 kg.

**OPTIONAL EXTRAS:** L.M.I. (Load Moment Indicator with angle, boom extension indicators and visible warning for max. capacity), man bucket, remote control, hydraulic winch, metal/glass enclosed cab, carry deck, battery, battery charger.

**Valla** S.p.A.

Via Piacenza, 45 - 29010 Calendasco - Piacenza - ITALIA  
Tel. 0039 0523 762025 - 762004 - Fax 0039 0523 760531  
Internet: [www.valla.com](http://www.valla.com) - email: [info@valla.com](mailto:info@valla.com)

# VALLA MOD. 400 E



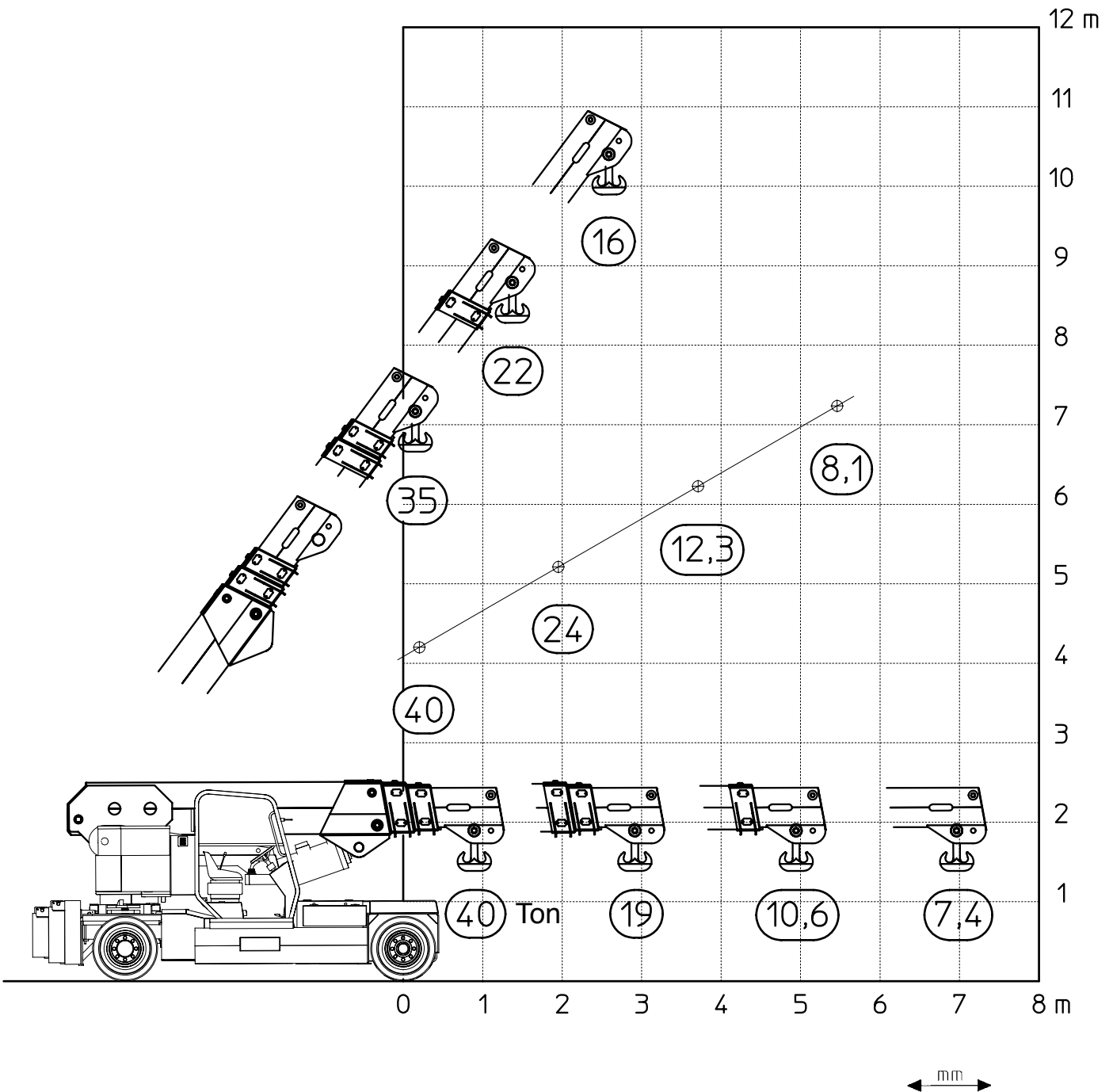
**Valla** S.p.A.

Via Piacenza, 45 - 29010 Caldasco - Piacenza - ITALIA  
Tel. 0039 0523 762025 - 762004 - Fax 0039 0523 760531  
Internet: [www.valla.com](http://www.valla.com) - email: [info@valla.com](mailto:info@valla.com)



## VALLA MOD. 400 E

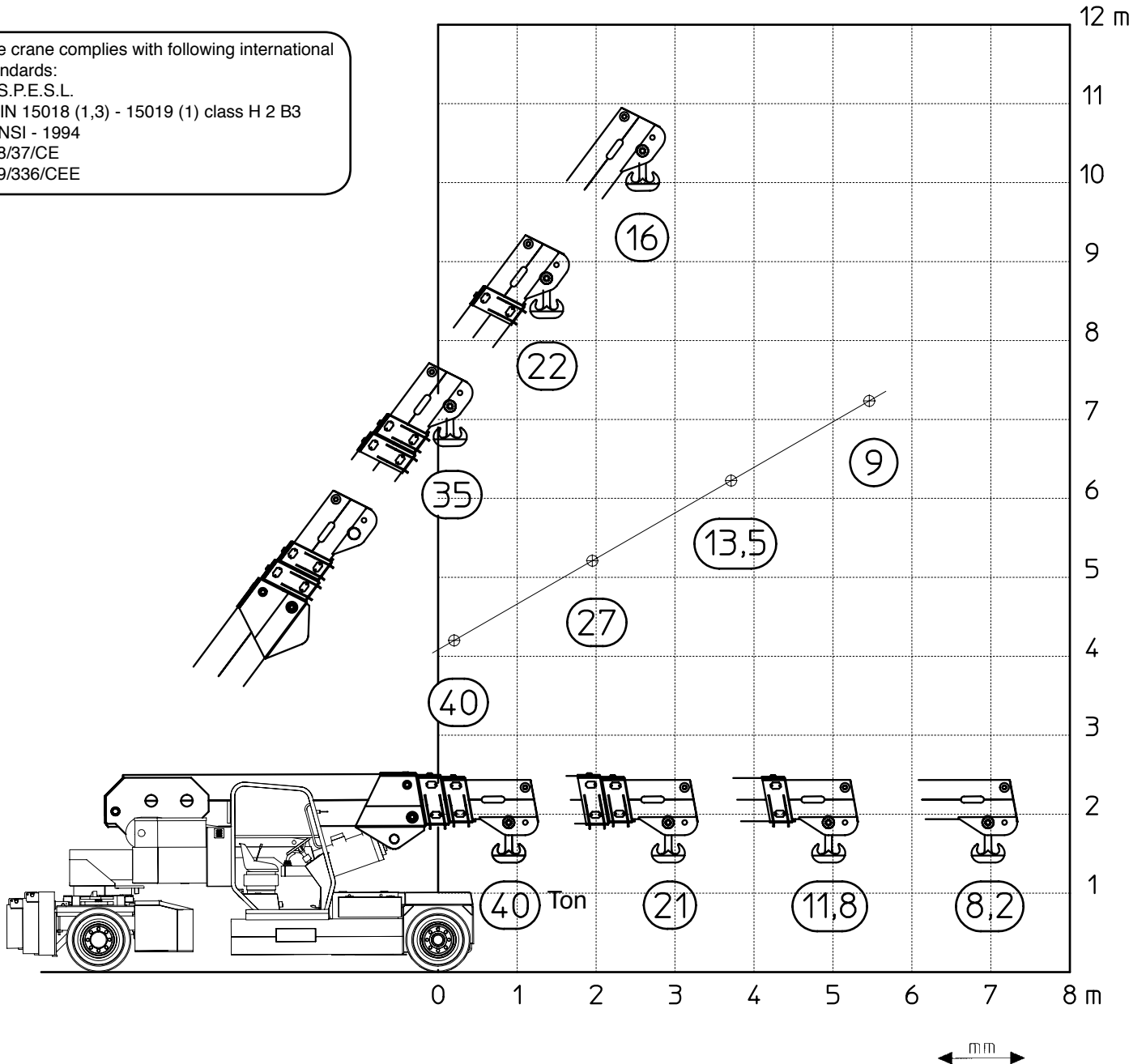
### Full close



# VALLA MOD. 400 E

## Back wide

The crane complies with following international standards:  
 - I.S.P.E.S.L.  
 - DIN 15018 (1,3) - 15019 (1) class H 2 B3  
 - ANSI - 1994  
 - 98/37/CE  
 - 89/336/CEE



**Valla** S.p.A.

Via Piacenza, 45 - 29010 Calendasco - Piacenza - ITALIA  
 Tel. 0039 0523 762025 - 762004 - Fax 0039 0523 760531  
 Internet: www.valla.com - email: info@valla.com

