

MID-SIZE CYLINDER HANDLER -CH4-

MINING & QUARRIES HANDLING Solutions

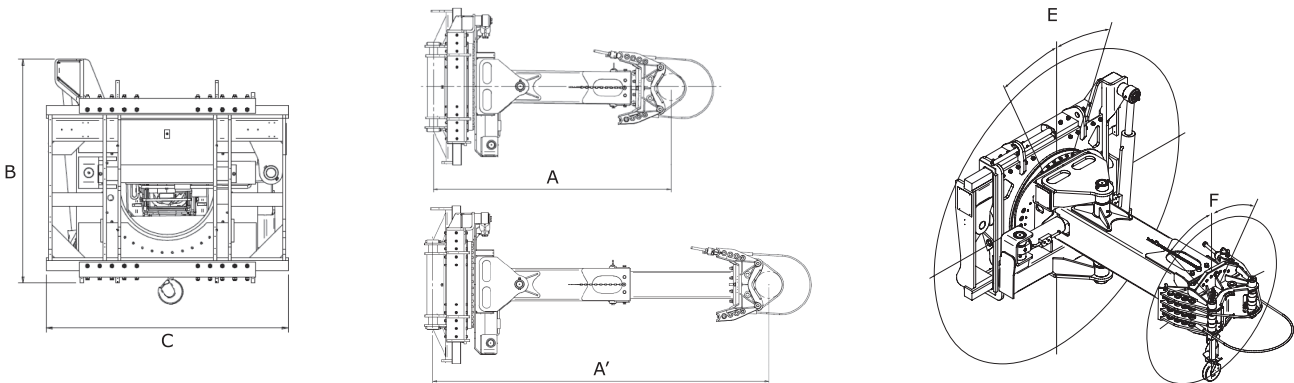


ADVANTAGES

- The solution to handle mid-size cylinder.
- Safety & Productivity: no crane required, no suspended load and no uncontrolled movements.
- Robust and compact design to access narrow areas.
- 2 mounting positions for head, horizontal or vertical (360° catch).
- 6 combined movements, as flexible as human wrist.

TECHNICAL CHARACTERISTICS

- Operating cylinder with diameter from 250 mm/9.8" to 530 mm/22.8".
- Capacity boom retracted 4000 kg, 8818 lbs.
- Capacity boom extended 1200 kg, 2645 lbs.
- Manual clamping ensured by 3 calibrated ropes, this action is monitored by a torque gauging system for a safe and efficient work.



	Capacity retracted	Capacity extended	Retracted length A	Extended length A'	B	C	Boom Orientation	E	F per axes	Side Shift
CH4	4000 kg	1200 kg	2250 mm	3170 mm	1360 mm	1470 mm	+/- 15°	+/- 22,5°	+/- 35° combined with +/-90°	+/- 150 mm
CH4	8816 lbs	2645 lbs	88,5"	124,8"	53,5"	57,9"				+/- 5,9"

COMPATIBILITY*

	CH4
Part Number	906450
MHT(X) 860 -Limited capacity-	X
MHT (X) 780	X
MHT (X) 10120	X
MHT (X) 10180	X
MHT (X) 10225	X

* This Attachment has been approved for the MHT & MHT X listed above. A load chart Machine/Attachment has been created accordingly.

REQUIRED EQUIPMENT:

- Load Moment Indicator 3B6:** Highly recommended
- Remote control:** Highly recommended
- Hydraulic predisposition:** Mandatory



This brochure describes versions and configuration options for Manitou products which may be fitted with different equipment. The equipment described in this brochure may be standard, optional or not available depending on version. Manitou reserves the right to change the specifications shown and described at any time and without prior warning. The manufacturer is not liable for the specifications given. For more information, contact your Manitou dealer. Non-contractual document. Product descriptions may differ from actual products. List of specifications is not comprehensive. The logos and visual identity of the company are the property of Manitou and may not be used without authorisation. All rights reserved. The photos and diagrams contained in this brochure are provided for information only.
 MANITOU BF SA - Limited company with board of directors - Share capital: 39,547,824 euros - 857 802 508 RCS Nantes
 CH4_EN_B_0313



www.manitou.com