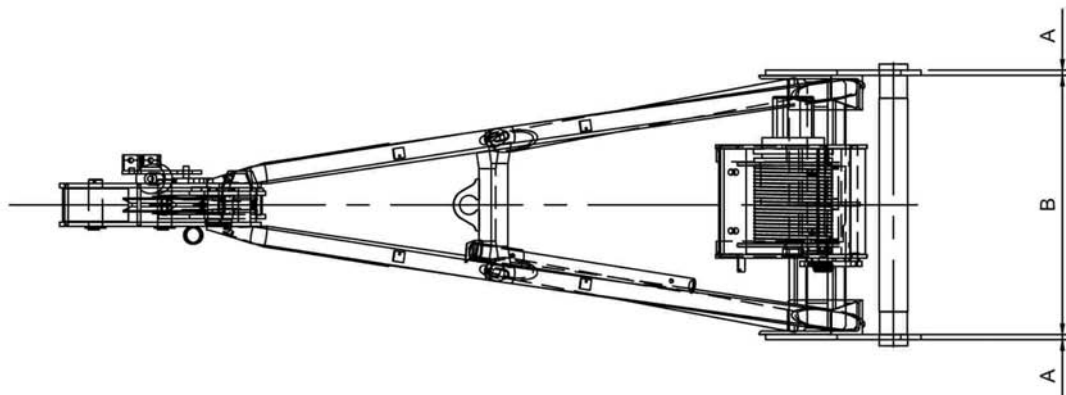
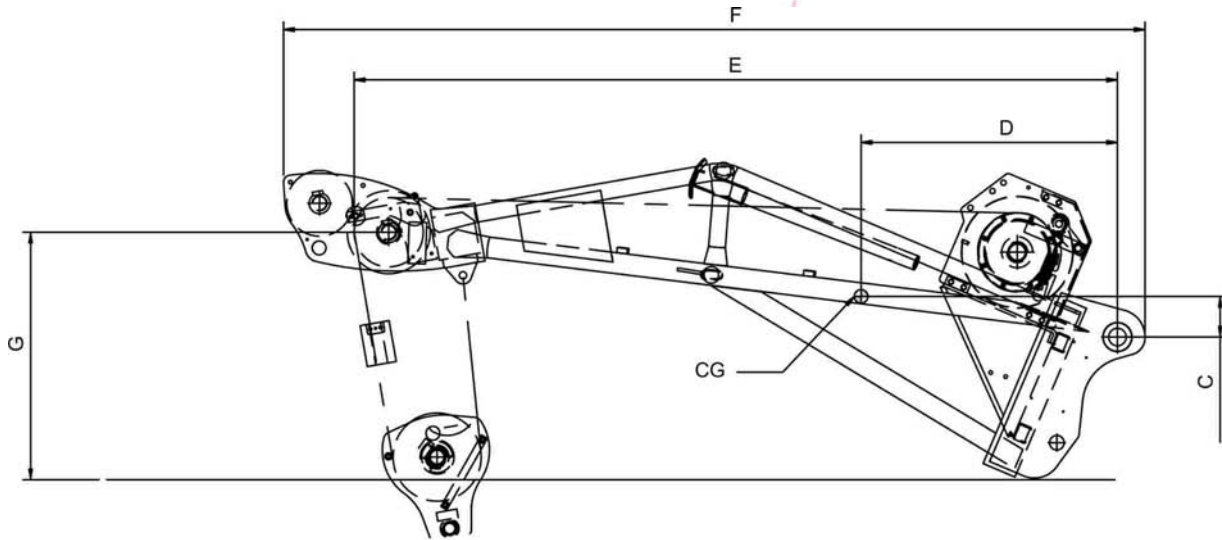


# PT 2000



### Description:

2.5-metre-long jib with winch. Load capacity: 2000 kg

### Specifications:

- Line pull (3rd layer): **2000 kg.**
- Maximum speed (3rd layer): **23 m/min**
- Double** line pull
- 49 m long and 10 mm diameter cable arranged in three layers.
- Sauer-Danfoss OMSU orbital motor
- Planetary reduction gear featuring negative disk brake and oil bath
- The threaded drum is equipped with a cable-pressing roller to ensure the cable is always wound correctly
- Presence of a cable guide which further improves cable winding on the drum
- ISO 4301/1 classification: **T4, L2, M4**

### Safety features:

- Positive hydraulic descent limit stop
- Positive hydraulic ascent limit stop

### CHARACTERISTICS

DESCRIPTION	LOAD LIMIT	OVERALL LENGTH							WEIGHT
		A	B	C	D	E	F	G	
PT 2000	2000 KG	15	750	117	742	2210	2490	716	387 KG