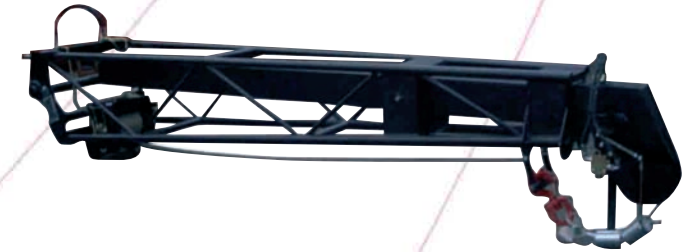
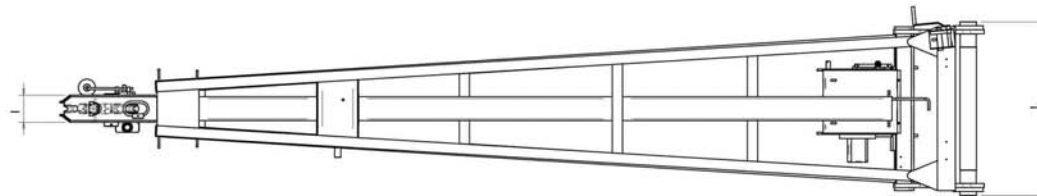
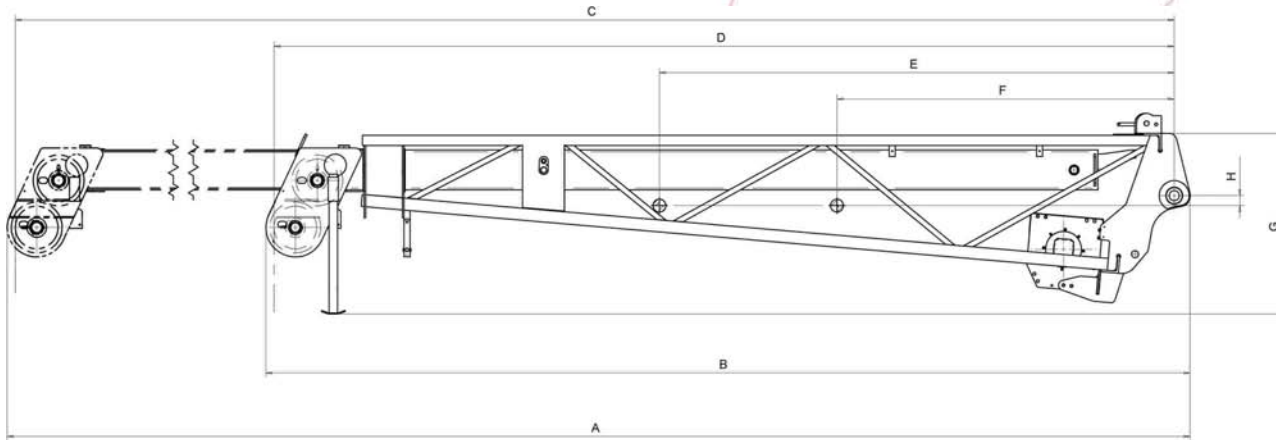


PT 800



Description:

Telescopic jib with winch. Closed: 4 m long and 1000 kg load.
Extended: 7 m long and 800 kg load.

Specifications:

- Line pull (3rdlayer): **1000 kg.**
- Maximum speed (3rdlayer): **46 m/min**
- Singleline pull
- 37 m long and 10 mm diameter cable arranged in three layers.
- Sauer-Danfoss OMSU orbital motor
- Planetary reduction gear featuring negative disk brake and oil bath
- The threaded drum is equipped with a cable-pressing roller to ensure the cable is always wound correctly
- ISO 4301/1 classification: **T4, L2, M4**

Safety features:

- Positive hydraulic descent limit stop
- Positive hydraulic ascent limit stop

CHARACTERISTICS

DESCRIPTION	LOAD LIMIT	OVERALL LENGTH										WEIGHT
		A	B	C	D	E	F	G	H	I	L	
PT 800	800 KG	7290	4630	7170	4510	2580	1690	900	50	136	870	540 KG