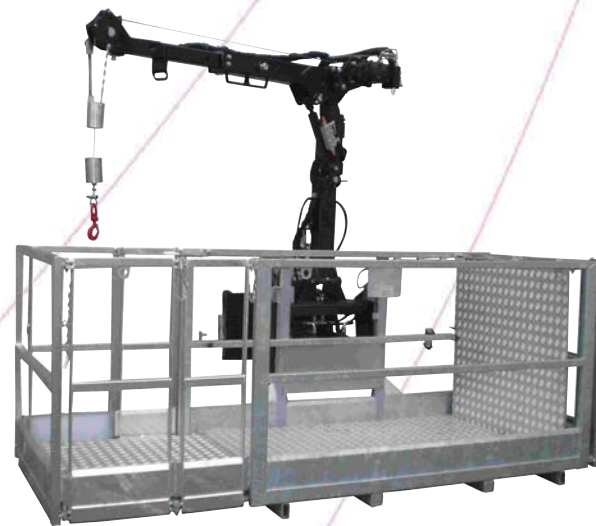
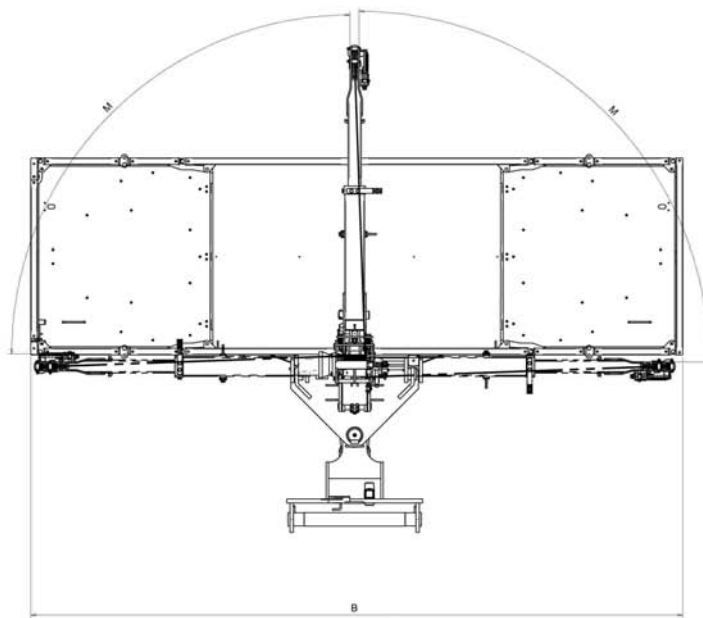
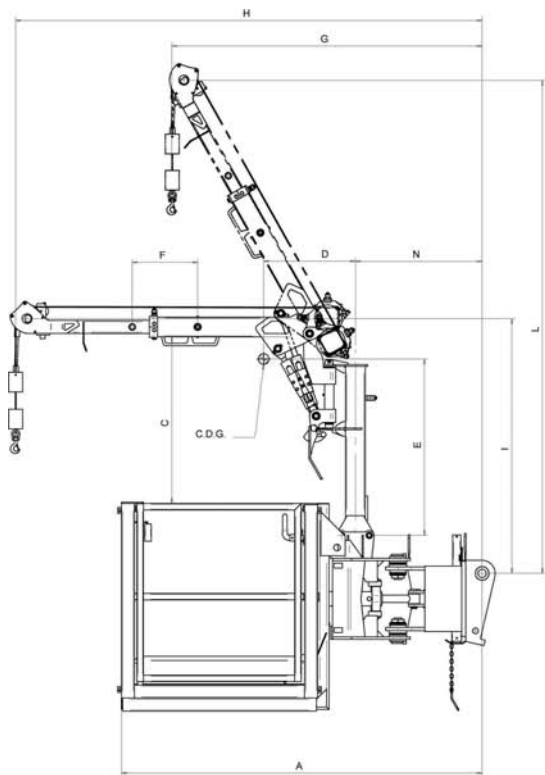


# EXTENDABLE PLATFORM WITH WINCH



## Description:

Extendable galvanized basket with rotation for carrying persons. Jib with extendable rotary winch with lift cylinder.

## Basket features:

- The maximum capacity is **1000 kg**.
- The maximum number of persons allowed is three.
- The basket can be extended from **2.25m** (closed) to **4.00m** (open).
- 90°+ 90° hydraulic rotation.
- Door can be opened on one side of the platform.

## Basket safety devices:

- Overload sensor.
- Shear pin presence sensor.
- Sensor for door closure.

## Jib features:

- The capacity is **350 kg**
- 90° + 90° manual rotation
- Hydraulic lift to bring the load within the platform

## Basket safety devices:

- Positive hydraulic descent limit switch
- Positive hydraulic ascent limit switch
- Overload sensor.
- Shear pin presence sensor.

## CHARACTERISTICS

DESCRIPTION	LOAD LIMIT	OVERALL LENGTH											WEIGHT	
		A	B	C	D	E	F	G	H	I	L	M		N
EXTENDABLE PLATFORM WITH WINCH	300 KG	2210	4000	1015	560	1075	400	1900	2850	1555	3010	90°	775	930 KG